



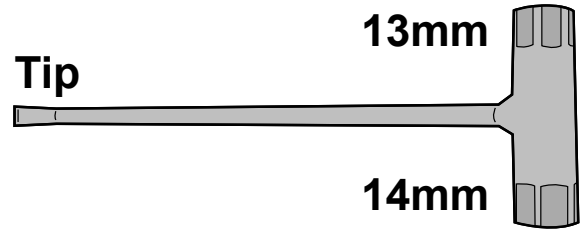
For Technical Support  
Please email or call our  
CST Team  
cst@stratusvideo.com  
855-663-1231

## THE STRATUS STAND MAINTENANCE GUIDE

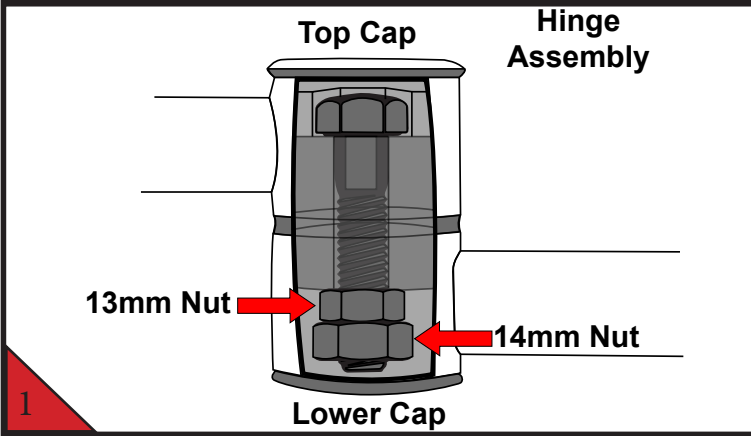
When the Stratus Stand head or arms sag from shipping or usage, it may need to be readjusted. In our adjustment package, you will find the T-tool and manual. The T-tool has 2 hexagonal well sockets to fit both the 13mm and 14mm bolt. The screwdriver tip is used to pry the cap off of the Stratus stand. Follow this guide step-by-step to get your stand back in working order.

### T-tool

## T-Handle Hexagonal Screwdriver



### Hinge

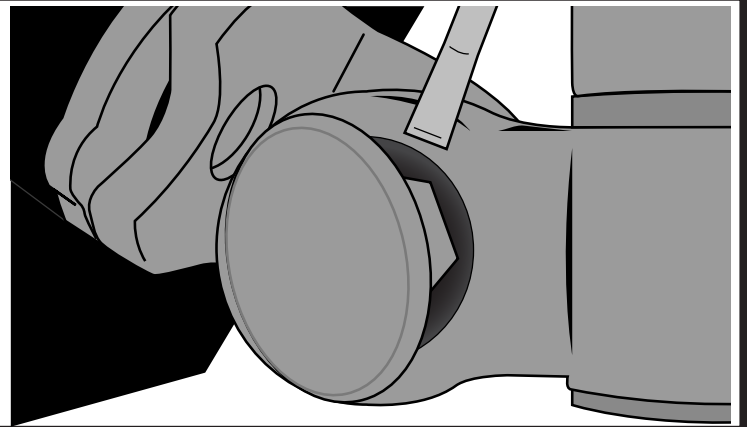
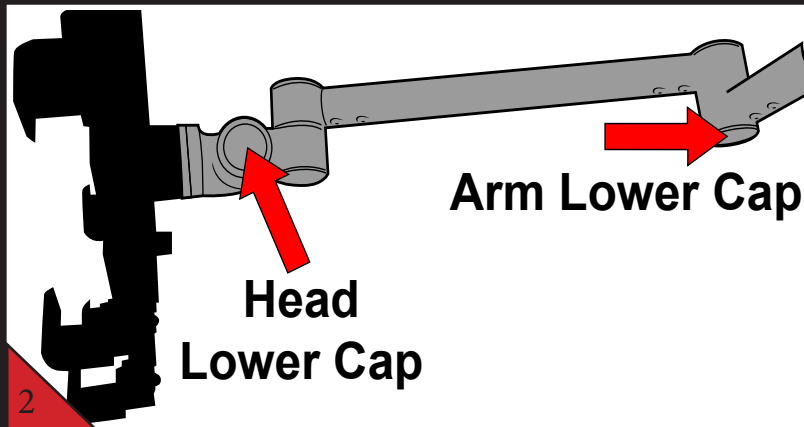


1) The Hinge Assembly housing consists of 1 Hexagonal Screw with 2 Hexagonal bolts. The 14mm outer bolt helps keep the 13mm, bolt in place.

2) Using the T-tool's screwdriver tip, pop off the lower cap. If the lower cap doesn't pry off easily, use a hammer to tap the T-tool. If the head sags, adjust the hinge assembly closest to the head. If the arm sags, adjust the hinge assembly closest to the arm as shown below.

3) Using the T-tool, completely remove the 14mm nut by rotating it counter-clockwise. Once removed, tighten the 13mm nut by rotating it clockwise. Once firmly tightened, place the 14mm nut back and firmly tighten. Place the lower cap back and the stand is ready to be put back to work!

### Lower Cap Removal



### Tightening the Arm / Head

